

JVC®

The Perfect Experience / —
/

FIXED IP COLOR CAMERA **VN-C20U**

Easy to Install Network Camera with Full Frame Rate Motion-JPEG (VGA Mode), Pre/Post Alarm Buffer and Built-in Viewer

30 **VGA**
fps

V.NETWORKS
Visual Network System

Easy Day/Night

PoE
Power over Ethernet

Power over Ethernet Surveillance Camera with High-Resolution Images and Versatile Security Functions



- Versatile monitoring and camera control capability
- 1/3 type Interline Transfer CCD with 380,000 effective pixels
- Full frame rate Motion-JPEG at VGA/QVGA switchable
- PoE (Power over Ethernet) for easy installation with single LAN cable connection
- Built-in Viewer for monitoring/capturing camera images on PC
- Pre/Post alarm buffer
- Full featured security camera
 - Full hybrid with both analog and IP output
 - Easy day/night function
 - Automatic gain control (AGC) on/off
 - Backlight compensation (BLC) on/off
 - Automatic tracking white balance (ATW) and manual modes

<http://www.jvc-victor.co.jp/english/pro/vnetworks/index-e.html>

Easy-to-Use, Reliable Monitoring System with Quick Installation and Built-in Multi-Function Viewer

■ Features

1/3 type IT CCD with 380,000 effective pixels

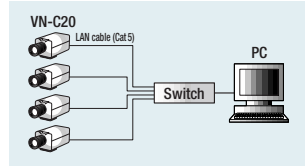
The high-resolution 1/3 type Interline Transfer CCD with 380,000 effective pixels reproduces superbly detailed images in true color.

Full frame rate Motion-JPEG (VGA)

Produces high-quality images in the Motion-JPEG format with area resolution of up to 640 x 480 pixels and a maximum frame rate of 30 fps.

Easy installation with PoE (Power over Ethernet)

Simply connect with a LAN cable on the Ethernet network and the camera is activated and can be controlled via connected PCs.



Motion detection function

Alarms can be activated based on motion within a defined area. Motion detection can also start video recording on a connected computer.

Easy day/night function

Provides higher sensitivity under low illumination. When the Easy day/night is set to ON, minimum illumination is 0.4lx F1.2 (25IRE).

Other Features

- Built-in Web server
- Alarm input x 2 / output x 2
- Multicasting capability
- RJ-45 (cat 5) and 10Base-T/100Base-TX/FULL/HALF/auto negotiation
- FTP client/server function

Viewing

By installing the VN-C20U's built-in viewer on your PC, streaming camera images can be monitored with the Internet Explorer. Snapshot recording, alarm signal reception, and various settings are also possible with the viewer.

• Built-in Viewer



Notes:

- The VN-C20U's built-in viewer does not have a recording function.
- Compatible multi-camera browser VN-RS800 will be available in future release.

Enhanced Interface

Initial setup is easily achieved by Internet Explorer. Various operating parameters can be similarly adjusted.

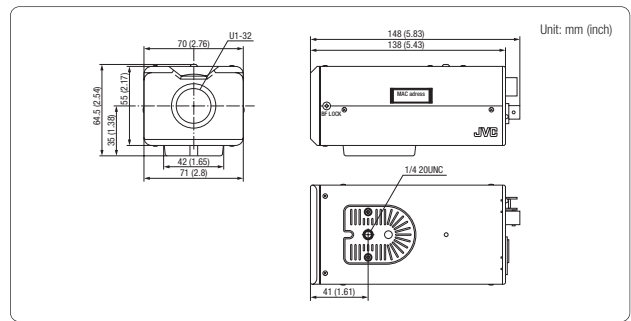
- **Camera setting**
Setup camera ID, iris, AGC, white balance, Easy Day/Night, etc.
- **Encoding setting**
Setup frame size, picture quality, frame rate, etc.
- **Alarm environment setting**
Setup connected server address, port number, etc.



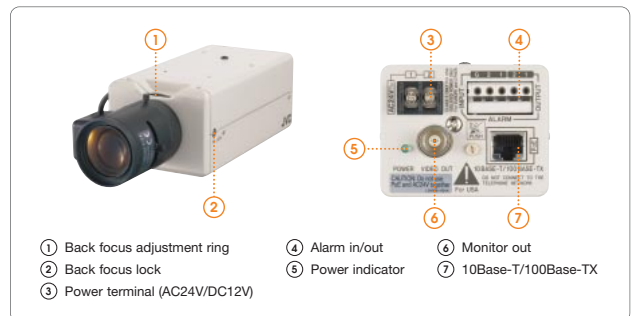
V. Networks Line-up

- VN-C655U (B) PTZ IP dome camera
- VN-C205U Fixed IP dome camera
- VN-C625U PTZ IP dome camera
- VN-E4 4-ch network encoder

■ Dimensions



■ Controls, connectors and indicators



■ Specifications

Camera	
Image device	1/3 type IT CCD
Number of effective pixels	380,000 (768H x 494V)
Minimum illumination (typical)	
Color mode:	2.5 lx, F1.2, AGC on, 50IRE (50% video) 1.0 lx, F1.2, AGC on, 25IRE (25% video)
B&W mode:	1.0 lx, F1.2, AGC on, 50IRE (50% video) 0.4 lx, F1.2 AGC on, 25IRE (25% video)
S/N ratio	50 dB, AGC off
Horizontal Resolution	480TV lines (analog video out), 400TV lines (network)
Lens mount	C/CS
White balance	ATW/Manual
Easy day/night	Yes (on/off)
Video/Encode	
Video output	Composite video signal: 1.0 V(p-p), 57 ohms (BNC)
Video compression	JPEG (7 level compression)
Image size	VGA/OVGA
Frame rate (max.)	VGA 30fps
<requirement>	<30KByte, Motion detection off>
Motion detection	Yes
Constant bit rate	Yes
Pre/Post alarm buffer	Yes (8MB)
General	
Alarm I/O	Input x 2, Output x 2
Power supply	PoE (Power over Ethernet, IEEE802.3af compliant) /AC 24V
Power consumption	9.0 W (max.)
Operating temperature	-10°C to 50°C (14°F to 122°F)
Dimensions (W x H x D)	70 mm x 55 mm x 138 mm (2-7/8" x 2-5/8" x 5-7/8")
Weight	600g (1.31 lbs.)
Network	
Network interface	RJ-45 (Cat 5), 10Base-T/100Base-TX auto negotiation
LAN	IEEE802.3/IEEE802.3u/IEEE802.3af
Protocol	TCP/IP, UDP/IP, HTTP, FTP, ICMP, ARP, DHCP, NTP, SMTP
IP filter (deny/allow access from specified IP)	Yes
Access protection	3 level passwords
Multicast	Yes
System Requirement (recommended)	
OS	Windows® XP Pro (SP2)/Home (SP2)
Web browser	Internet Explorer ver. 6.0
CPU	Pentium® 4, 1.5GHz
Memory	1 GB
HDD space	20 MB
Display/video card	1,024 x 768 pixels, True color (24-bit or 32-bit) VRAM 256 MB

All brand or product names may be trademarks and/or registered trademarks of their respective owners. Copyright © 2006, Victor Company of Japan, Limited. All Rights Reserved.



DISTRIBUTED BY



Design and specifications subject to change without notice.



■ Hachioji Business Centre of Victor Company of Japan, Ltd. has received ISO14001 Certification for environmental management and ISO9001 Certification for quality assurance management.

Printed in Japan
VEC-0317 VNC20UYT0602

"JVC" is the trademark or registered trademark of Victor Company of Japan, Limited.