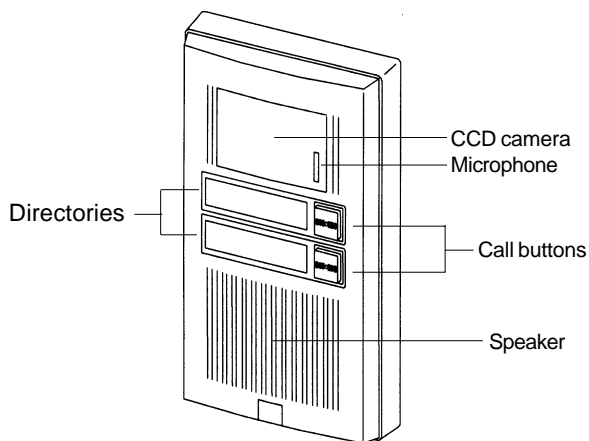


# MK-2DA

## 2-Call Video Door Station

**DESCRIPTION:**

The MK-2DA is a 2-call video door station, used with the MK-1MD/A room stations for audio and video door answering. A perfect solution for a common entry into two businesses, two residences, or one of each.

A directory next to each call button identifies the business or resident. The called location will hear a 4-stroke chime and see the image of the caller on the monitor. The call is answered by picking up the handset, while the visitor speaks hands free. The door release button on the room station activates an electric strike, allowing entry for the visitor.

The MK-2DA surface mounts to a wall, and is compact in size. The built-in CCD camera provides a wide angle view of the entry area, 95 degrees horizontally and 70 degrees vertically.

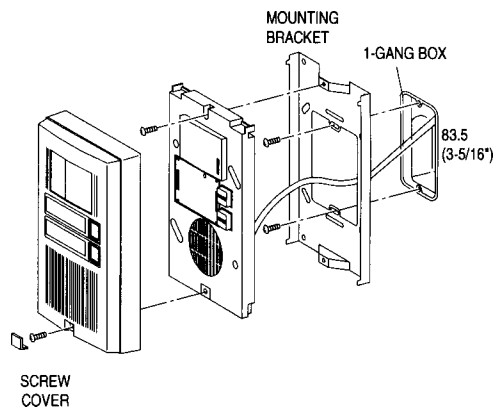
Each business or residence can have one or two monitors, or one monitor and one audio-only room station, both able to answer a call from the door station.

**COMPATIBLE COMPONENTS:**

- MK-1MD/A Monitor/handset room station
- MK-1SD/B Audio handset (secondary to MK-1MD/A)
- PS-18YC/A power supply (1 per MK-1MD/A)

**FEATURES:**

- Streamline surface mount design
- Selectively call two locations with individual call buttons
- Directory by each button identifies tenant
- Each tenant can have two monitors, or one monitor and one audio-only handset
- CCD camera with LED illuminators for low light conditions
- Hands free communication

**MOUNTING & INSTALLATION:**

**ARCHITECTS/ENGINEERS' SPECIFICATIONS:**

The video door station shall be Aiphone model MK-2DA, equipped with two (2) call buttons, each calling the designated inside station(s). A directory shall be located next to each button, labeled or engraved to indicate the resident or tenant. The unit shall be equipped with a CCD camera, infrared LEDs for low light conditions, and a speaker/microphone for two-way communication. The camera shall be wide angle, with a horizontal and vertical viewing range of 95 x 70 degrees.

Each call button on the MK-2DA shall call an inside monitor/handset station (model MK-1MD/A with PS-18YC/A). An optional second monitor can be added (with second power supply). If communication only is required at a secondary inside location, an audio-only handset can be added (MK-1SD/B). A second power supply shall not be required for the audio-only handset. Each inside station shall have door release capability with the button identified with a "key" symbol.

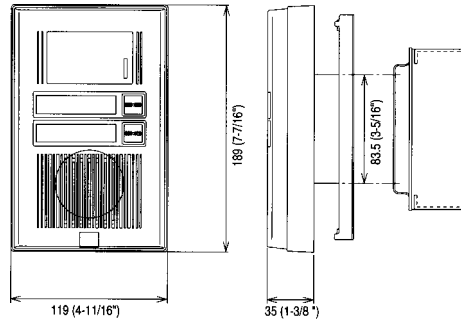
Wiring from the MK-2DA shall be a 2 conductor, non-twisted, non-shielded cable homerun to each monitor. If an additional monitor or handset is included, wire shall be daisy-chained from the first monitor/handset station to the second inside station.

The unit shall be surface mounted onto a supplied bracket, secured to a 1-gang mounting ring or box. The dimensions of the 2-call video door station shall not exceed 7-7/16" high by 4-11/16" wide by 1-3/8" deep.

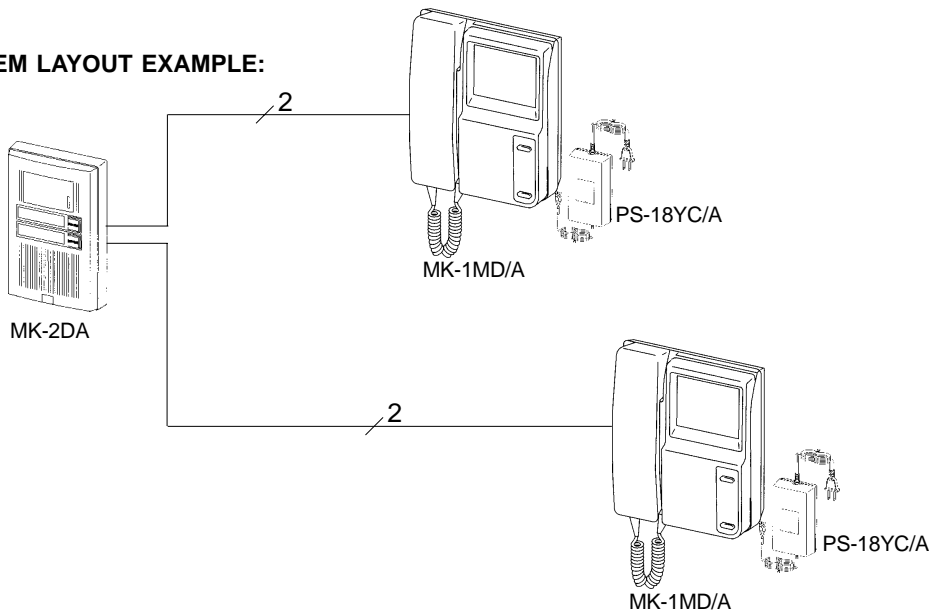
Manufacturer must have earned ISO 9001 certification for quality standards.

**SPECIFICATIONS:**

- Power source: Supplied by MK-1MD/A
- Camera unit: CCD camera with infrared LEDs
- Scanning lines: 525 lines
- Image viewing area: 95 degr. horizontally, 70 degr. vertically.
- Capacity: Calling to two locations with one or two inside stations each
- Wiring: 2 conductors from door station to each MK-1MD/A, homerun Aiphone wire #841802
- Wiring Distance: 330' w/18AWG
- Door release button contact: 30V DC, 100mA (resistive load)
- Dimensions (H x W x D): MK-2DA 7-7/16" x 4-11/16" x 1-3/8"



**SYSTEM LAYOUT EXAMPLE:**



*Intercom Solutions For  
Communications and Security*

MK-2DA-SS 91326 0498  
Printed in USA